



• AL45

400°C to 1500°C

Features

- Measurement of flames and combustion gases that include Co2.
- Highly Accurate due to digital linearization of the output
- Temperature range from 400°C....1500°C
- Spectral range of about 4.43 μm (absorption band for hot CO2)
- Four wire form with Analog output 4...20mA or 0...20mA or 0...10V
- Serial communication RS-232/RS-485
- Response time 60 ms
- Very good stability
- Laser Targeting for precision targeting
- User friendly Software

Standard Scope of Supply

- Pyrometer with Laser pilot light(PL)
- Analog output 4...20mA, 0..20mA, 0..10V
- Digital USB 2.0 output, USB Cable
- Digital Interface RS-232 / RS-485
- 5 mtr long connection cable with connector
- 1.5 mtr. Communication Cable
- Calibration certificate, Software & Operation manual

Optional

- Mechanical& Electrical Accessories
- Extra Cable lengths

Applications

- Measurement of flame temperature.
- Measurement of flames and combustion gases that include CO2

• AL45

Highly Accurate Non-Contact Pyrometer With Analogue Output and Digital Interface



AL45 are special pyrometers which provides the advantage of measurement of flames and combustion gases that include Co2.

The narrow spectral range of about 4.43μm, in the Co2 absorption band enables the measurement of flames and hot combustion gases.

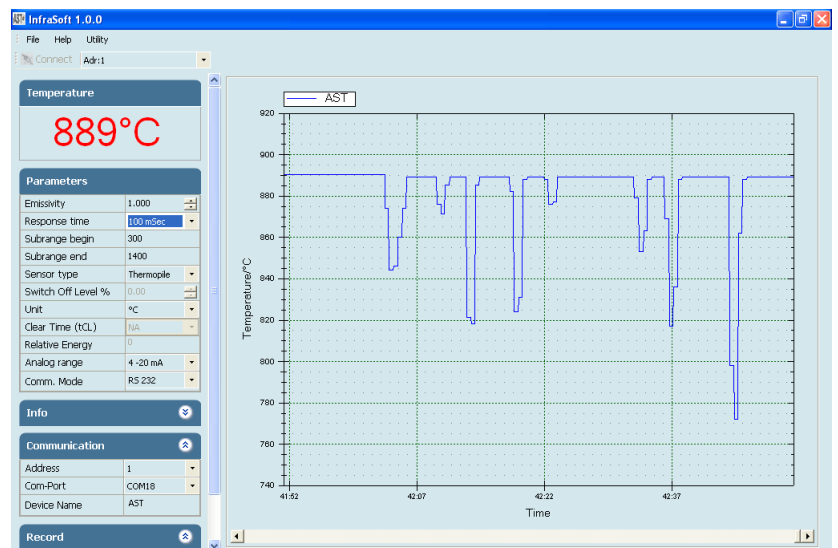
This format combines the high accuracy of digital signal processing with the simple connection. AL45 IR Pyrometer is used for target temperature ranging from 400°C to 1500°C. The electronic assembly is protected by IP65 rugged stainless steel housing. AL45 IR Pyrometer is provided with USB 2.0 for parameter setting & Data Logging.

Software “Infrasoft”

AST “Infrasoft” software is under standard scope of supply. It offers possibilities of connecting three pyrometers simultaneously for parameter setting, view real time graph, offline graph and to evaluate measuring data. Communication between the pyrometer and the software is implemented via a cable connected between the pyrometer and the PC serial port. It comes with record feature, spot size calculator and parameter settings features.

Some of the parameters adjustable via software are

- Emissivity, Response Time
- Clear Time(Peak Picker)
- Analog Output
- Sub Range
- Unit Of Temperature(°C/°F)
- Communication mode(Comm.mode)



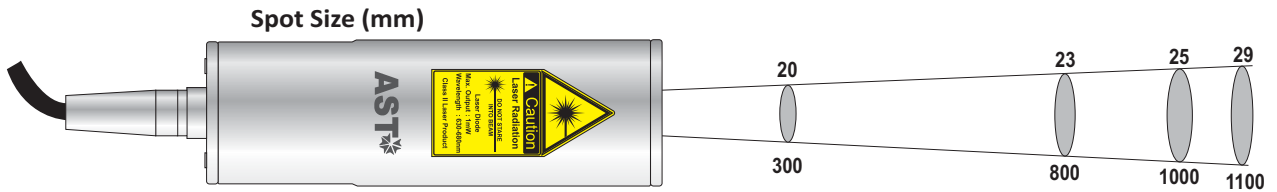
Technical Specifications

Model	AL45
Temperature Range (Analog sub-range adjustable)	400°C....1500°C
Spectral Range	about 4.43 μm (absorption band for hot CO2)
Photodetector Type	Thermopile
Distance to Spot Size Ratio	40:1
Emissivity (ε)	0.1....1.2 adjustable
Response Time	60 msec adjustable upto 10sec
Accuracy	T < 500°C ,± 1.5% of measured value T ≥ 500°C, ± 1% of measured value (The instrument must be at constant ambient temperature for minimum 25-30 mins in power on condition)
Repeatability	0.3% of reading in °C + 1°C
Sighting Options	Laser Pilot Light (PL)
Analog Output	0-20mA, 4-20mA, 0-10V (User selectable)
Digital Output	USB 2.0 RS-232/RS-485 (User selectable) *At a time only one digital output possible
Operating Temp. Range	0°C.....70°C 0°C.....200°C (With water cooling jacket)
Storage Temp. Range	-20°C...70°C
Adjustable Parameters and Features via Software	Emissivity, Response Time, Clear Time(Peak Picker), Analog Output, Analog Scale (Sub Range), Unit Of Temperature(°C/°F), Communication mode (Comm.mode), Record feature etc
Power Supply	24V DC
Power Consumption	Max 2.5 watt
Laser Power	<1 m watt
Protection Class	IP65
Housing	Stainless Steel
Isolation	Power supply,*Digital output and Analog output are galvanically isolated against each other * Not applicable for USB 2.0 digital output
Operating Humidity	10-95%, Non-Condensing Conditions
Weight & Dimensions	600g Dia= Ø 49.5 mm; Length=118mm

We measure accurate temperature in extreme conditions

Spot Sizes

Optics 1000

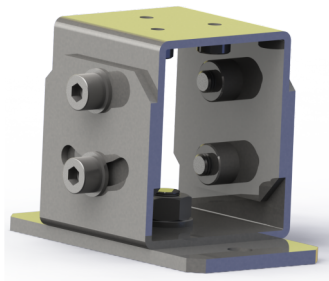


Accessories

Water Cooling Jacket
(Reference no: 8000-08)



Adjustable Mounting Stand
(Reference no: 8000-07)



Air Purge Unit
(Reference no: 8000-04)



Adjustable Mounting Support
(Reference no: 8000-05)



Display & Parameterizer P-120
(Reference no: 9001-01)



Converter RS-232 ↔ RS-485
(Reference no: 9000-03)



Power supply Input 110/230V AC
Reference No. 9000 - 02
Output 24 V DC, 0.7Amp.

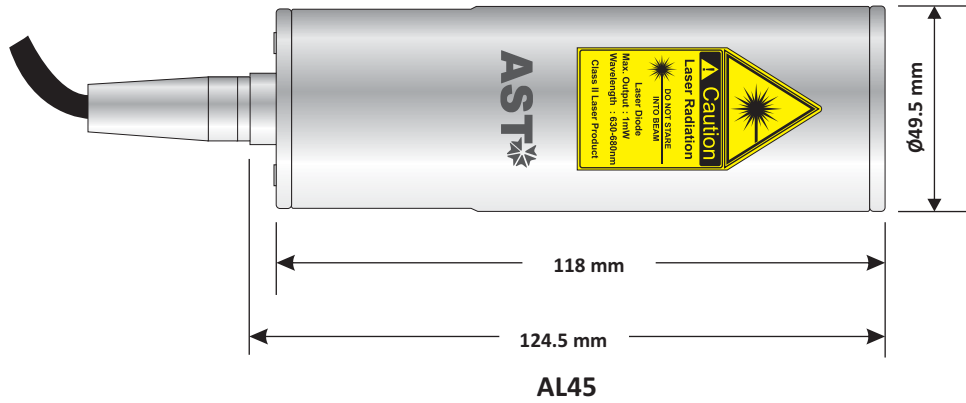


Temperature Indicator
(Reference no: 9000-01)

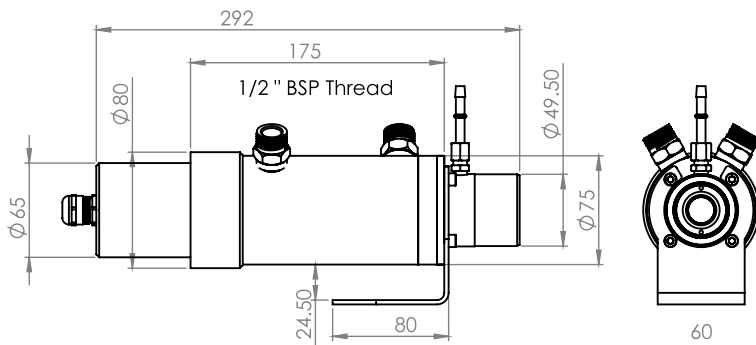


We measure accurate temperature in extreme conditions

Pyrometer Drawing

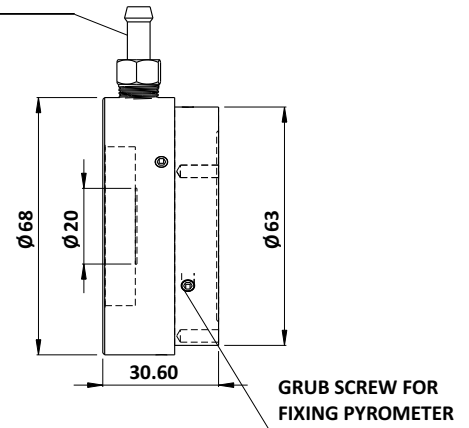


Pyrometer Accessories Drawings

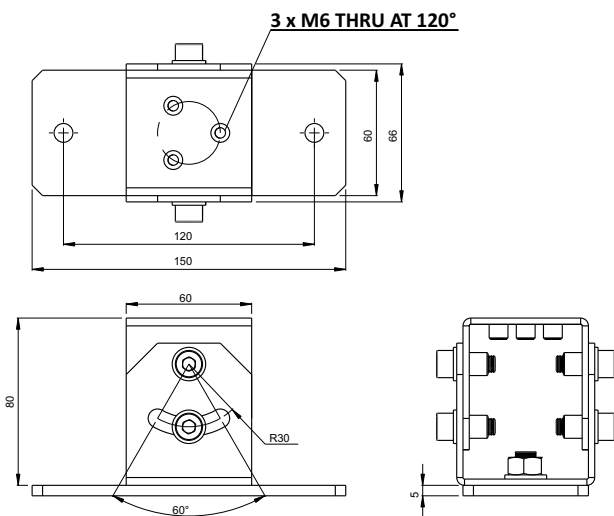


Water Cooling Jacket
(Reference no: 8000-08)

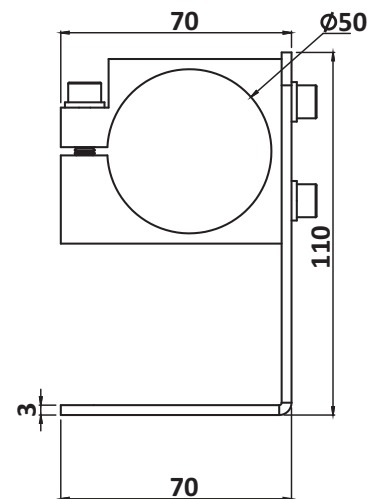
FOR 6 mm INSIDE
DIAMETER HOSE



Air Purge Unit
(Reference no: 8000-04)



Adjustable mounting stand
(Reference no: 8000-07)



Mounting Clamp
(Reference no: 8000-05)

Accurate Sensors Technologies Pvt. Ltd.
Misgav Industrial Park, Misgav 20174 Israel
Phone : +972-4-9990025, Fax : +972-4-9990031
E-mail : info@accuratesensors.com

Accurate Sensing Technologies Pvt. Ltd.
188A, B-169 (Part), B-188 (A), Road No. - 5, M. I. A.,
Madri, Udaipur (Rajasthan) - 313003
Phone : +91-9352506032
Email : sales@astinfrared.com

AST
Accurate Sensors Technologies