

**Product information**

**A-H4.1**

# Switching Head A-H4.1

For devices **MR1- HR2-  
HD1- HD2-**

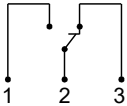


- I M1 Ex ia I Ma
- II 1G Ex ia IIC T4 Ga
- II 1D Ex ia IIC T135° Da

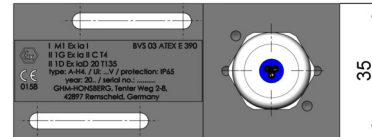
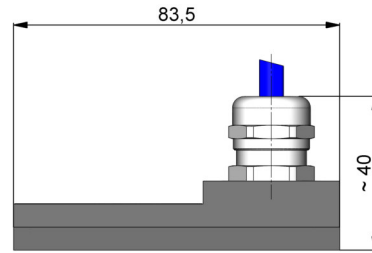
## Characteristics

Intrinsically safe switching head with reed switch and ATEX approval, for the MR1/HD1/HD2/HR2, for use in intrinsically safe power circuits.

## Technical data

<b>Switch</b>	Reed switch
<b>Media temperature</b>	-20..+120 °C
<b>Ambient temperature</b>	-20..+50 °C
<b>Weight</b>	0.1 kg additionally
<b>Wiring</b>	Transformer No. 0.213 
<b>Switching voltage</b>	max. 30 V
<b>Switching current</b>	max. 1.5 A
<b>Switch performance</b>	max. 50 W
<b>Protection class</b>	3 - Protective extra low voltage
<b>Ingress protection</b>	IP 65
<b>Electrical connection</b>	Cable 2.5 m, other cable lengths up to max. 5 m are optionally available

## Dimensions



## Handling and operation

### Note

All

- For use only in intrinsically safe power circuits - Provide a suitable isolating amplifier.
- Cable lengths max. 5 m.
- It must be ensured that the values given for voltage, current, and power are not exceeded.
- When switched on, a load must be connected in series.
- The electrical details apply to ohmic loads. Capacitive, inductive and lamp loads must be operated using a protective circuit.

### HD1KO-/ HD2KO

- Display with plastic parts - do not open in an explosive atmosphere.

### Adjustment

If it is necessary to set the switching value, the switching head can be adjusted lengthways. When the switching value is reached, the switching unit is fixed in place by a fastening bolt.



## Ordering code

The basic device is ordered e.g. HD1K-015GM005A with switching head A-H4.1-1.

A-H4.1 -  1.

<b>1. Wiring</b>	
1	Wiring no. 0.213