



## •AL514

300°C to 2500°C

### Features

- Highly Accurate due to digital linearization of the output
- Temperature range from 300°C....2500°C
- Spectral range 5.14µm
- Four wire form with Analog output 4 to 20mA,0 to 20mA,0 to 10V
- RS-232/RS-485 serial interface
- USB 2.0 Digital output
- Fast Response time 60 ms
- Very good stability
- User friendly PC Software

### Standard Scope of Supply

- Pyrometer with Laser pilot light(PL)
- Analog output 4...20mA, 0..20mA, 0..10V
- USB 2.0 Digital output, USB Cable
- RS-232 / RS-485 serial Interface
- 5 mtr long connection cable with connector
- 1.5 mtr. Communication Cable
- Calibration certificate, Software & Operation manual

### Optional

- Mechanical& Electrical Accessories
- Extra Cable lengths

### Applications

- In glass hardening &bending.
- Temperature measurement of float glass.

## •AL514

Highly Accurate Non-contact Pyrometer With Analog Output and Digital Interface



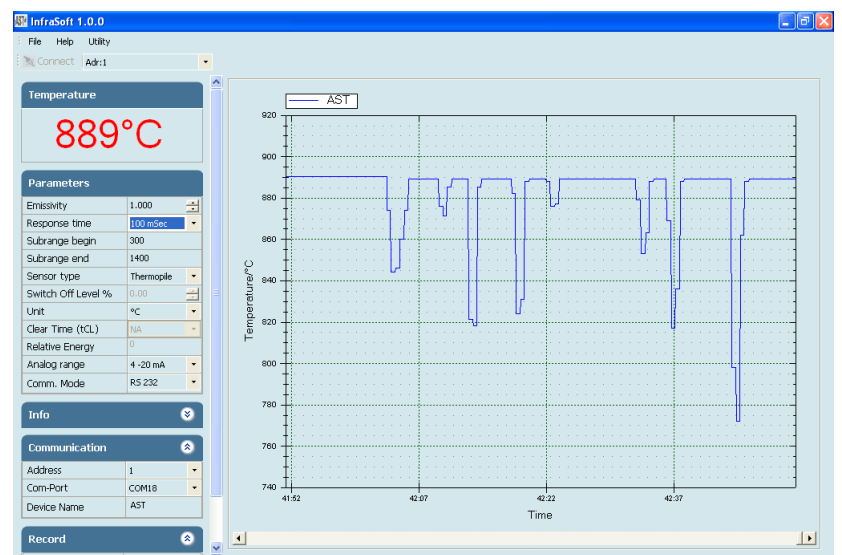
AL514 IR Pyrometer model provides the advantage of non contact temperature measurement of Glass and Quartz surfaces. Glass is transparent in the visible and near wavelengths of Infrared region. In spectral range of 5.14 µm emissions are very high with almost zero reflections which is very useful as temperature of the Glass surface can be measured reliably and accurately. AL514 IR thermometer works in spectral range of 5.14 µm thus, highly useful for temperature measurement in Float Glass industry. Designed for easy integration into standard 4 wire system,this format combines the high accuracy of digital signal processing with the simple connection. AL514 IR Pyrometer is used for target temperature ranging from 300°C to 2500°C. The electronic assembly is protected by IP65 rugged stainless steel housing.

AL514 IR Pyrometer is provided with USB 2.0 connector with cable. The infrared pyrometer can be powered through USB port. In this case no external power supply is required (24V DC requires for operation of Analog output, Laser on and RS-232 / RS-485 output).

### Software “Infrasoft”

AST “Infrasoft“ software is under standard scope of supply.It offers possibilities of connecting three pyrometers simultaneously for parameter setting, view real time graph, offline graph and to evaluate measuring data. Communication between the pyrometer and the software is implemented via a cable connected between the pyrometer and the PC serial port. It comes with record feature, spot size calculator and parameter settings features. Some of the parameters adjustable via software are

- Emissivity, Response Time
- Clear Time(Peak Picker)
- Analog Output
- Sub Range
- Unit Of Temperature(°C/°F)
- Communication mode(Comm.mode)



## Technical Specifications

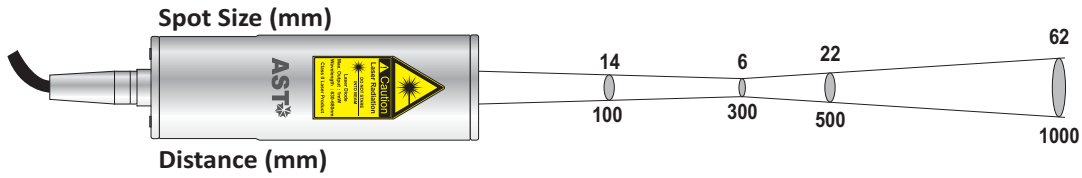
<b>Model</b>	<b>AL514</b>
Temperature Range (Analog sub-range adjustable)	300°C....1400°C 400°C....2500°C
Spectral Range	5.14 μm
Photodetector Type	Thermopile
Distance to Spot Size Ratio	50:1
Emissivity (ε)	0.1....1.2 adjustable
Response Time	60 msec adjustable upto 10sec
Accuracy	T < 500°C; ± 1.5% of measured value T ≥ 500°C; ± 1% of measured value (The instrument must be at constant ambient temperature for minimum 25-30 mins in power on condition)
Repeatability	0.3% of reading in °C +1°C
Sighting Options	Laser Pilot Light (PL)
Analog Output	0-20mA, 4-20mA, 0-10V (User selectable)
Digital Output	USB 2.0 RS-232/RS-485 (User selectable) *At a time only one digital output possible
Operating Temp. Range	0°C.....70°C 0°C.....200°C (With water cooling jacket)
Storage Temp. Range	-20°C...70°C
Adjustable Parameters and Features via Software	Emissivity, Response Time, Clear Time(Peak Picker), Analog Output, Analog Scale (Sub Range) , Unit Of Temperature(°C/°F), Communication mode (Comm.mode), Record feature etc.
Power Supply	24V DC
Power Consumption	Max 2.5 watt
Laser Power	<1 m watt
Protection Class	Ip65
Housing	Stainless Steel
Isolation	Power supply,*Digital output and Analog output are galvanically isolated against each other * Not applicable for USB 2.0 digital output
Operating Humidity	10-95%, Non-Condensing Conditions
Weight & Dimensions	600g Dia= Ø 49.5 mm; Length=118mm

We measure accurate temperature in extreme conditions

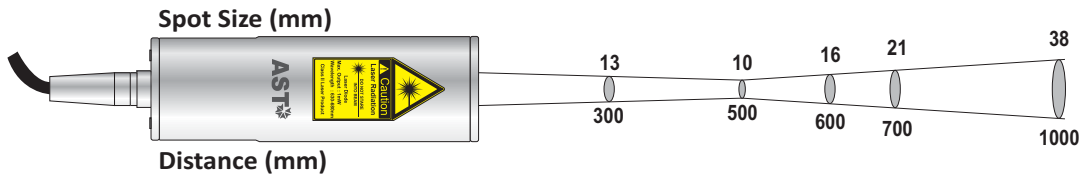
## Spot Sizes

### Optics 300

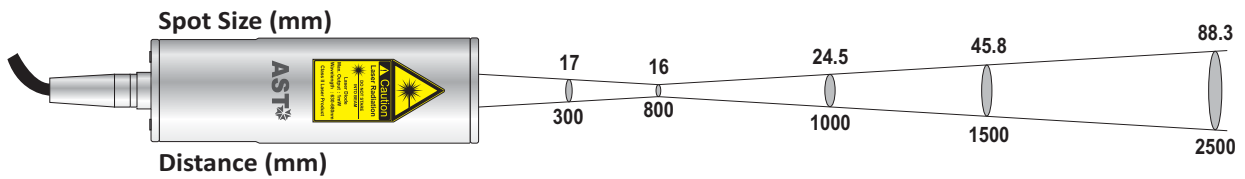
FOV 50 : 1



### Optics 500



### Optics 800

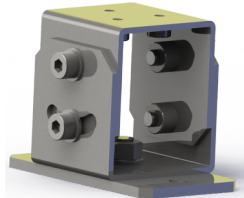


## Accessories

Water Cooling Jacket  
(Reference no: 8000-08)



Adjustable Mounting Stand  
(Reference no: 8000-07)



Air Purge Unit  
(Reference no: 8000-04)



Adjustable Mounting Support  
(Reference no: 8000-05)



Display & Parameterizer P-120  
(Reference no: 9001-01)



Converter RS-232 ↔ RS-485  
(Reference no: 9000-03)



Power supply Input 110/230V AC  
Reference No. 9000 - 02  
Output 24 V DC, 0.7Amp.

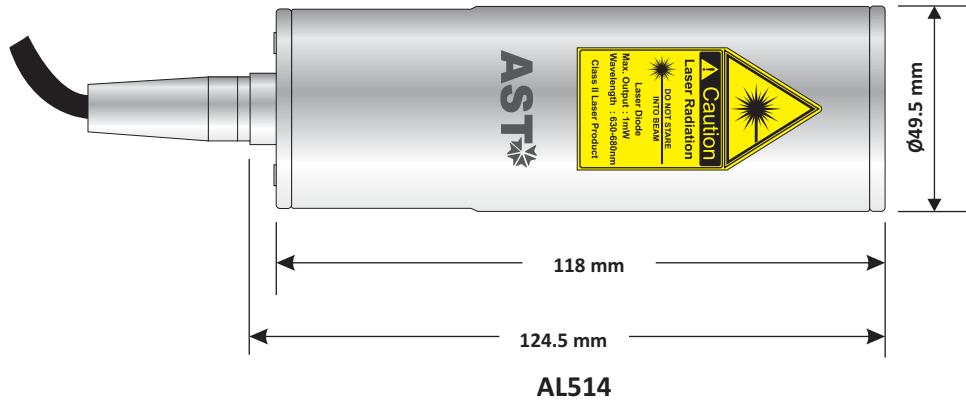


Temperature Indicator  
(Reference no: 9000-01)

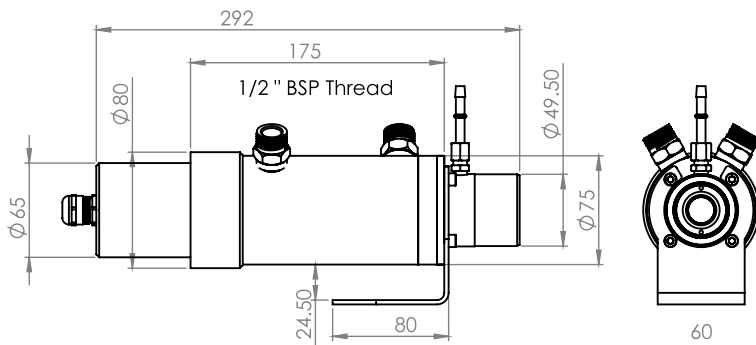


We measure accurate temperature in extreme conditions

## Pyrometer Drawing

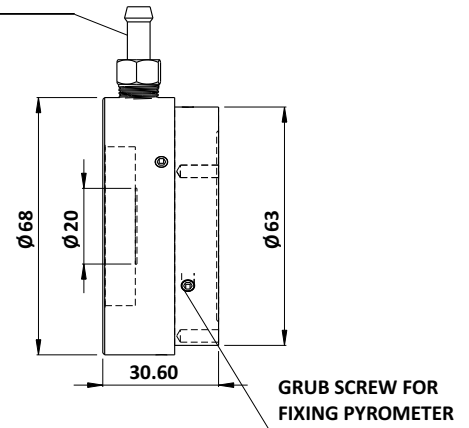


## Pyrometer Accessories Drawings

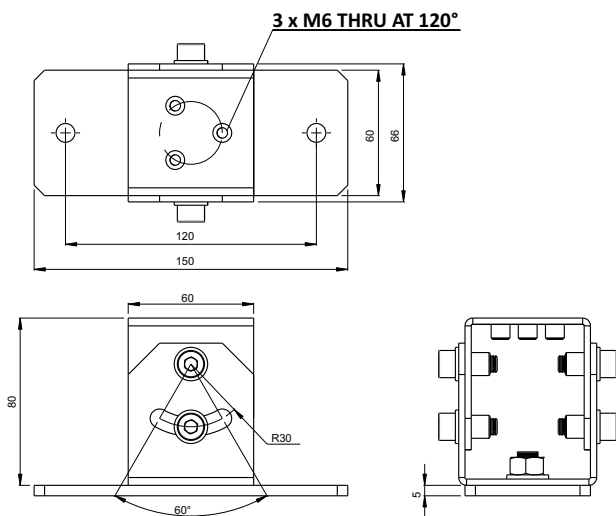


**Water Cooling Jacket**  
(Reference no: 8000-08)

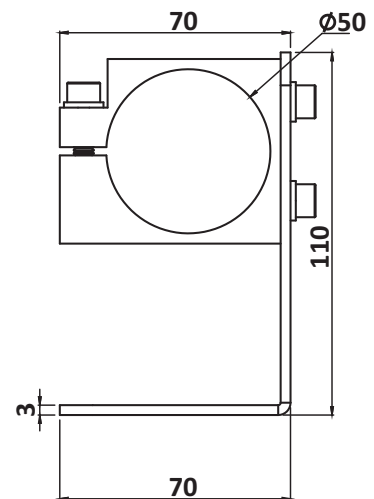
FOR 6 mm INSIDE  
DIAMETER HOSE



**Air Purge Unit**  
(Reference no: 8000-04)



**Adjustable mounting stand**  
(Reference no: 8000-07)



**Mounting Clamp**  
(Reference no: 8000-05)

**Accurate Sensors Technologies Pvt. Ltd.**  
Misgav Industrial Park, Misgav 20174 Israel  
Phone : +972-4-9990025, Fax : +972-4-9990031  
E-mail : info@accuratesensors.com

**Accurate Sensing Technologies Pvt. Ltd.**  
188A, B-169 (Part), B-188 (A), Road No. - 5, M. I. A.,  
Madri, Udaipur (Rajasthan) - 313003  
Phone : +91-9352506032  
Email : sales@astinfrared.com

**AST**  
Accurate Sensors Technologies